

# HDXL

## Heavy Duty Extra Large Doors



TNR® offers rugged durability and high performance drive systems for extra large door sizes for:

#### **HARSH ENVIRONMENTS**

dirt, dust, rain, snow, temperature

#### **APPLICATIONS**

ideal for heavy industrial and commercial applications, sized for extra large equipment access

#### **LOW MAINTENANCE**

simple, rugged design and heavy duty components ensure minimal maintenance required

#### **HIGH WINDLOAD & PRESSURE DIFFERENTIAL**

caused by exterior wind & positive pressure work environments



***Tough 'n' Ready  
For Your Challenging  
Environments***

# HDXL Heavy Duty Extra Large

**Applications:** Mining, heavy manufacturing, steel, pulp and paper, waste management and oil & gas.

**TNR® leads the way with High Performance, rugged roll-up doors for extra large openings.** Big equipment needs big access openings. TNR's rubber doors are available up to 55 feet wide and 35 feet high. Openings beyond these sizes require extra consideration; contact us for larger doors. TNR® has the engineering and field experience that assures our custom built doors deliver peace of mind in your specific application.

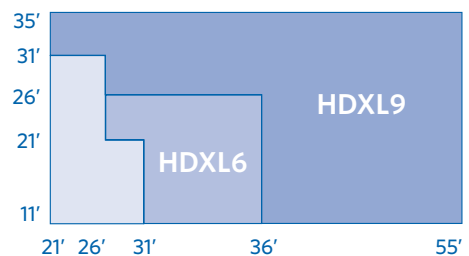
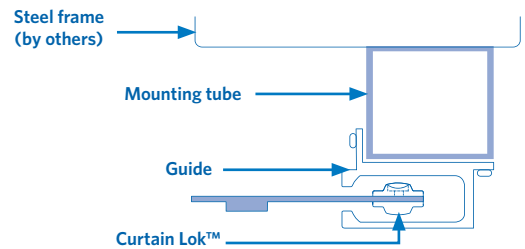
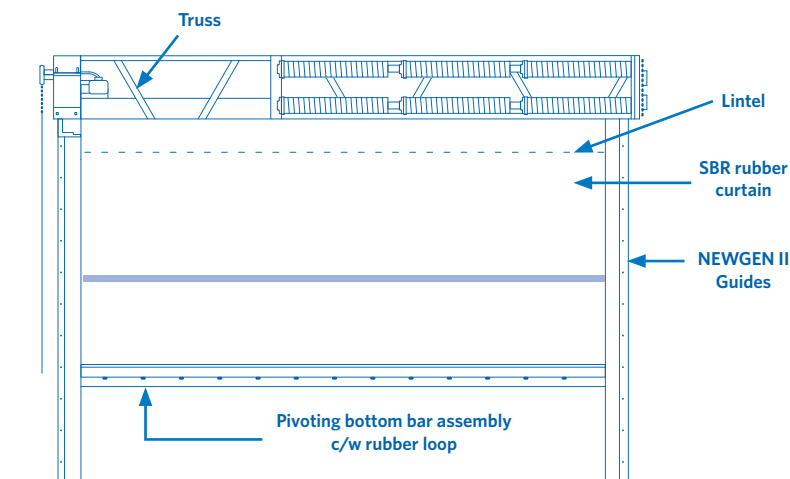
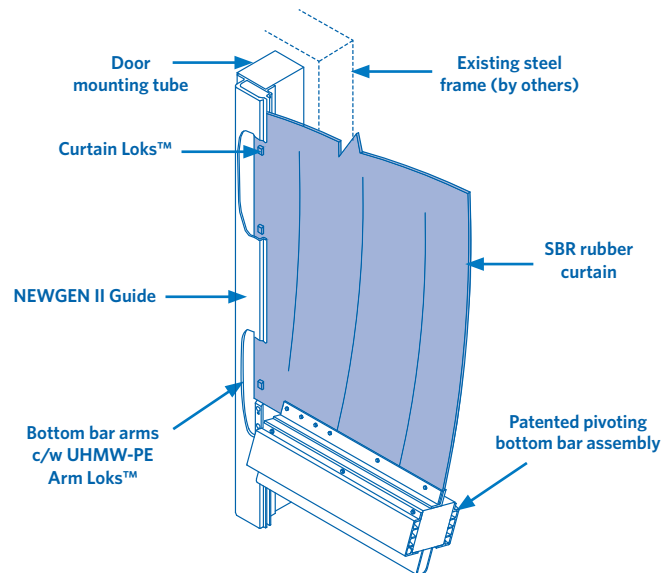
## TNR® Mechanical Features

- 1/4" Black SBR rubber with polyester core weave. Flexible and resistant to abusive environments in temperatures from -40°F to +180°F.
- Patented NEWGEN II® Guide and Curtain Lok™ system. Reliable and consistent door operation. No guide gap maintenance required.
- Bottom bar with rubber loop.
- Sleek profile with easy installation, reduced clearances and minimal maintenance.
- No hinges, cables, pulleys or tension springs.
- Knock-Away Bottom Bar to reduce risk of damage during accidental impacts (Model HDXL6 only).
- Model HDXL6 can be mounted to concrete wall or steel jamb.
- Model HDXL9 for steel jamb mounting only.
- Frame mounted thru-beam photoelectric sensor (Model HDXL6). Constant Pressure to Close (Model HDXL9).
- Options: colors, windows, hoods, reversing edge, thru-beam photoelectric sensor, traveling windbar (maximum 30 feet wide) and MSHA-rated self-extinguishing curtains.

## TNR® Drive Features

- High Efficiency Helical Gear Head (HG) Operator with multi-function capacity PLC Control Panel.
- Options: access controls and specialty functions.

Standard Features	HDXL6	HDXL9
<b>Opening Speed</b> —Up to (inches per second)	12	12
<b>Maximum Wind Resistance</b> —88 mph (20 psf)	●	●
<b>Type of Balancing</b> —Counterbalance spring assembly cycle rating (000)	50K	50K
<b>Door Mounting Steel</b>		
Steel Channel and Flatbar Assembly	●	
Steel Rectangular Tubing		●
<b>Pivoting Bottom Bar</b> —Patented bottom bar assembly		●
<b>Reversing Edge</b> —Pressure sensitive wireless edge. Optional relay logic.	●	
<b>Control Panel</b> —Multi-function capacity PLC with inverter drive for soft start/soft stop operation	●	●
<b>Activation</b> —Remotes, pull cords, loop detectors	●	●
<b>Warranty</b> —Limited lifetime warranty on curtain and NEWGEN® Guide. Two years on all other parts and workmanship.	●	●



Toll-free 1-866-792-9968

info@tnrdoors.com

TNRdoors.com

